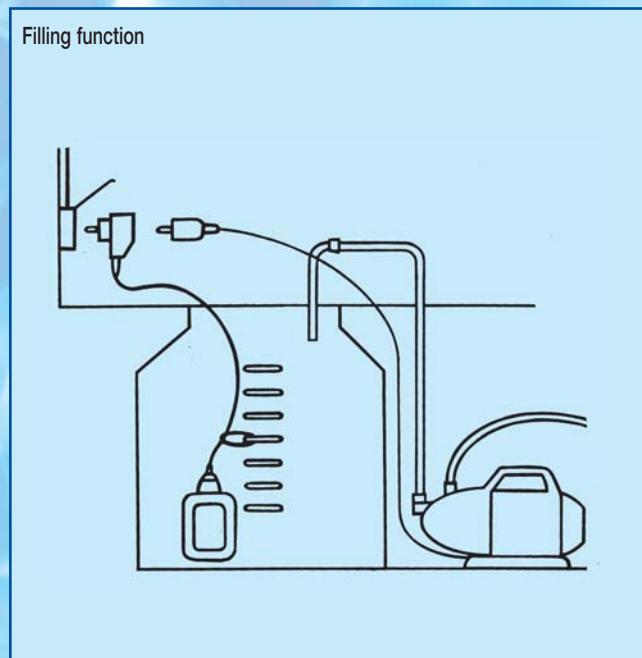
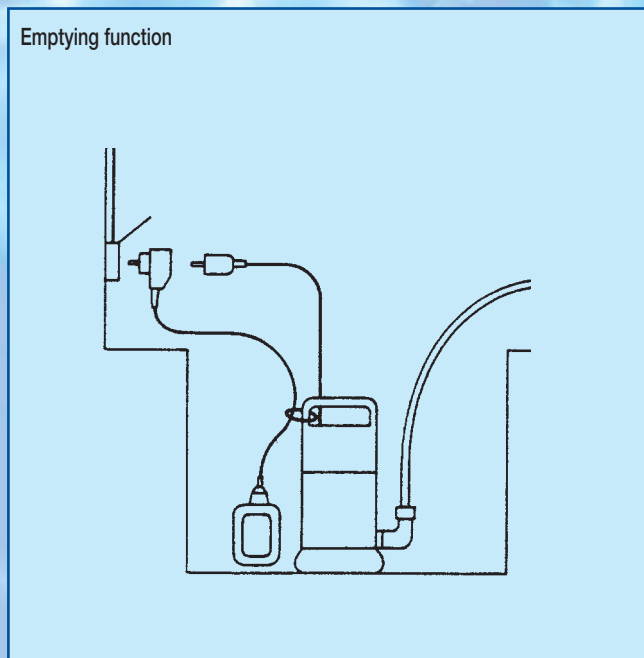


Plug application for filling and emptying functions



Counterweights

This item is inserted directly onto the level regulator output cable.

Counterweights		
Code	CONTR	CONTRP
Weight	Standard gr. 200	On request gr. 300
Dimensions	Ø 47X55	Ø 47X55
Material	Shock resistant polystyrene	Shock resistant polystyrene
Standard colour	yellow	yellow
Filling material	sand + iron shot	sand + iron shot
note	On request for large quantities other colours available	

